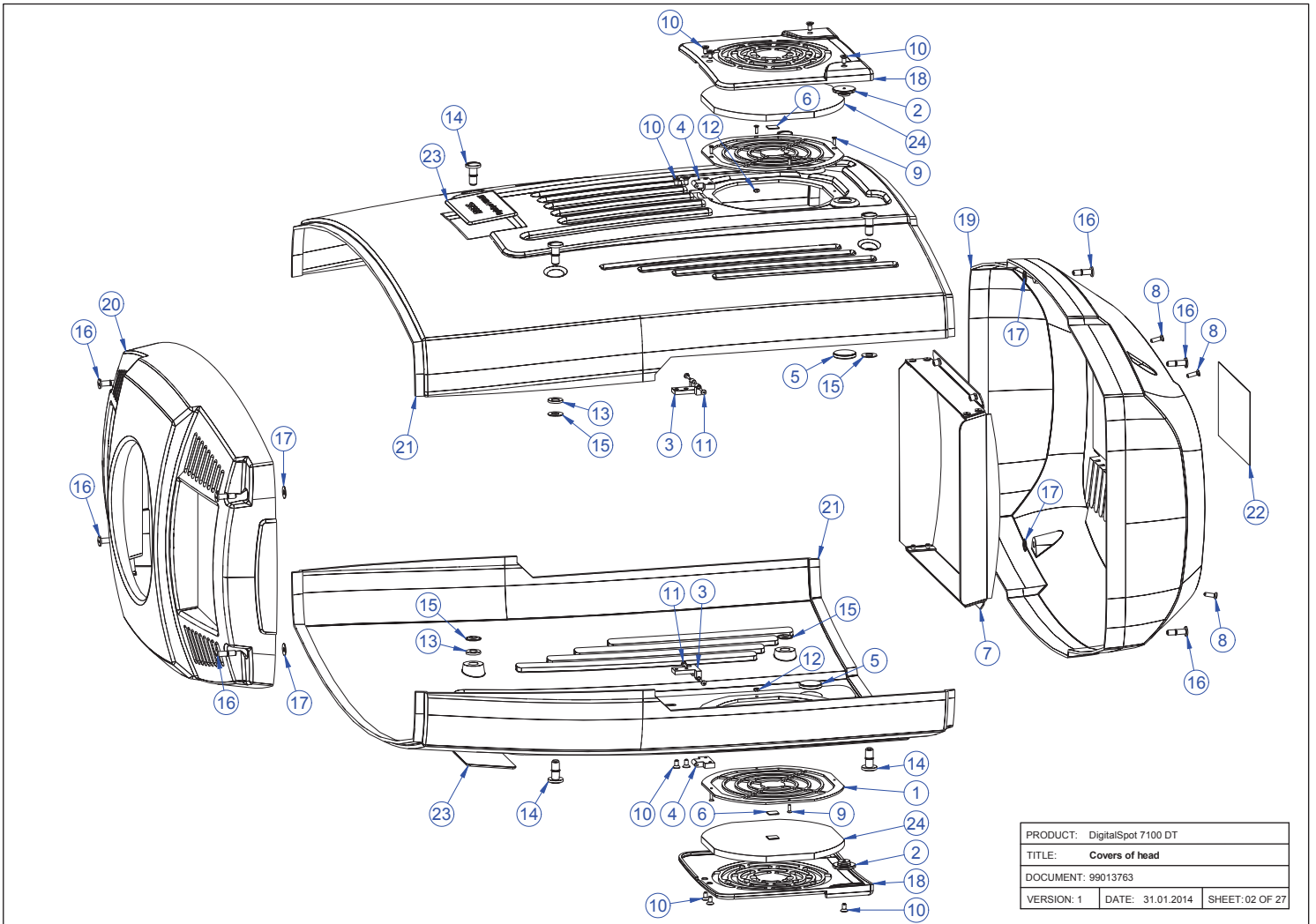
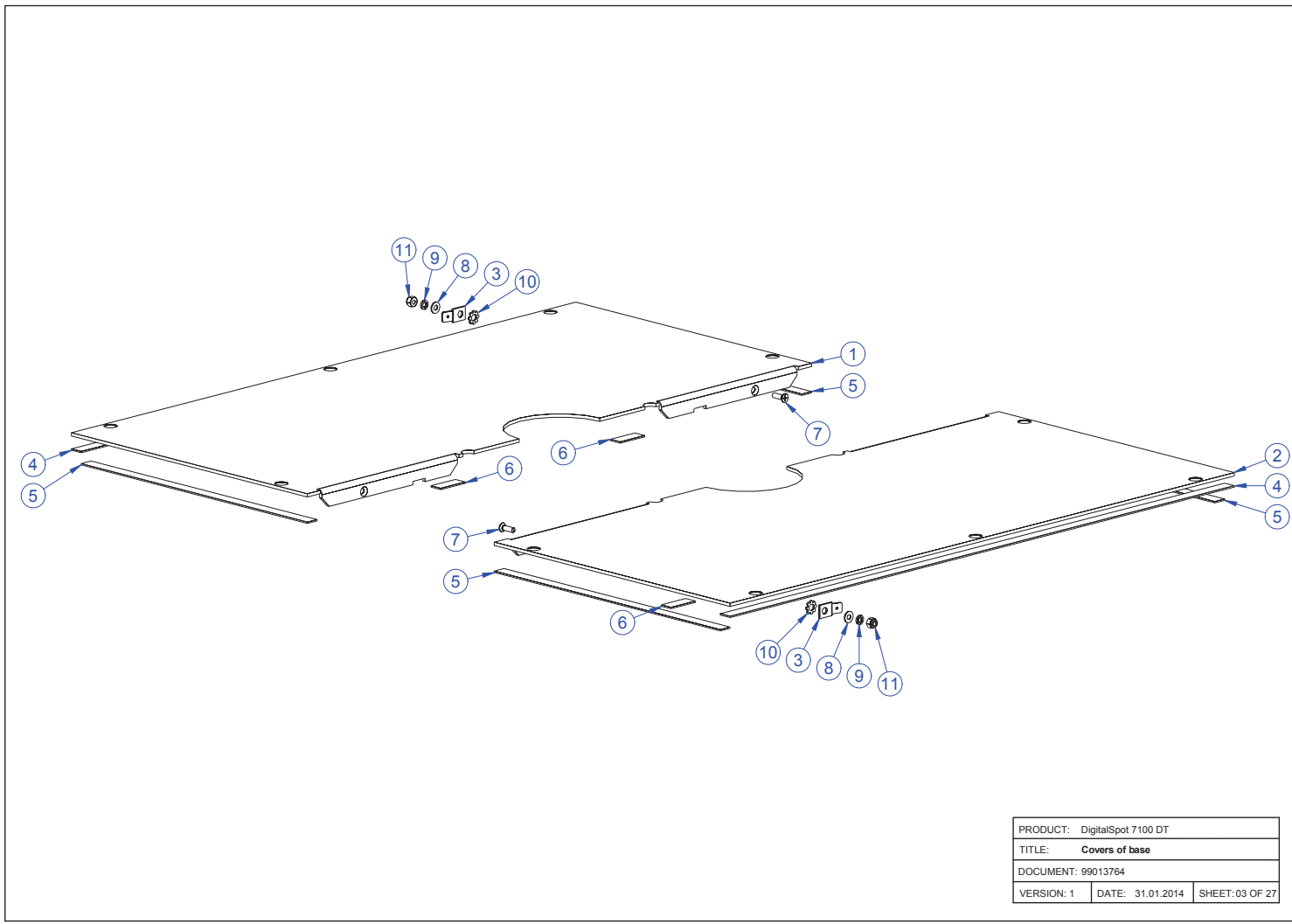


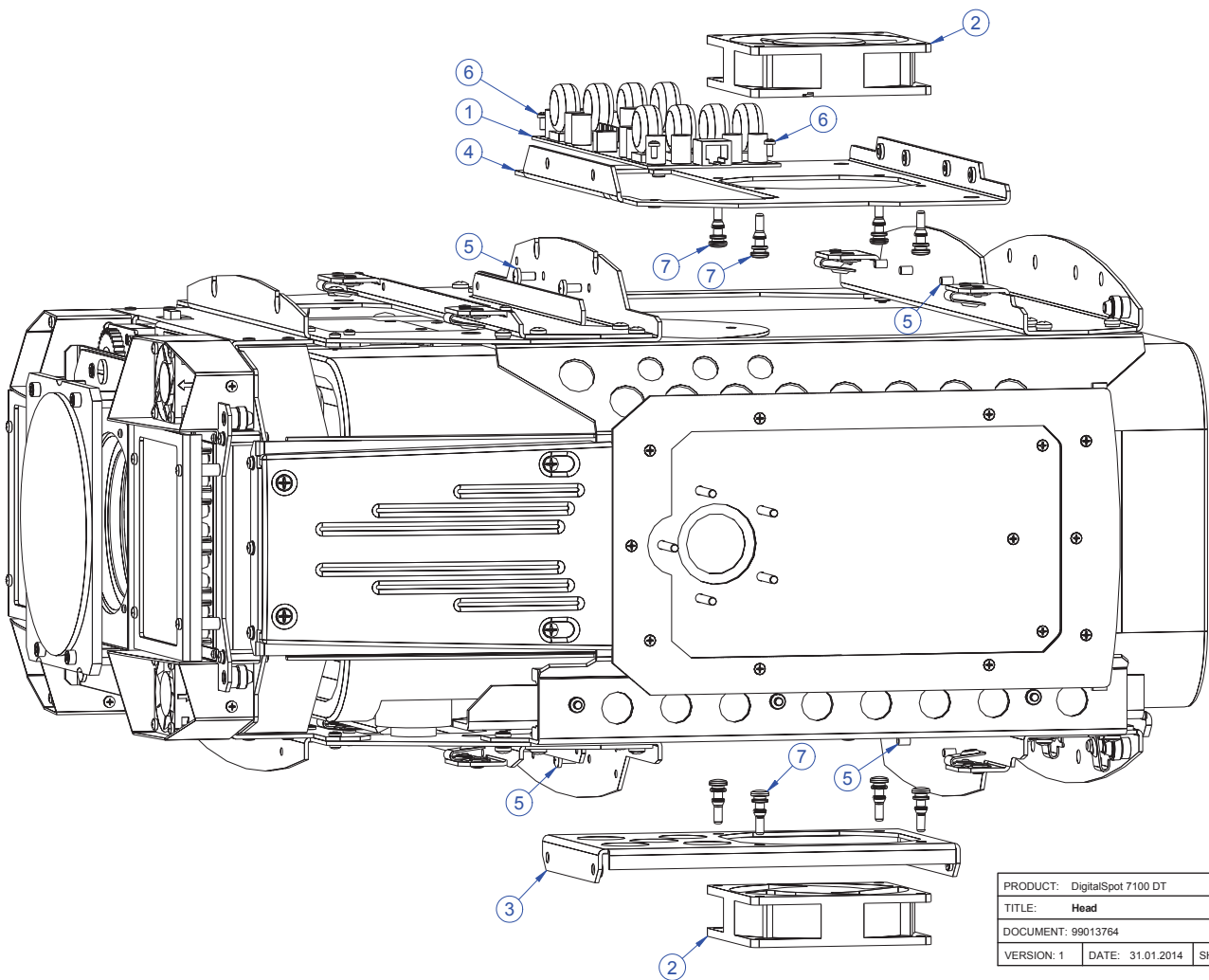
PRODUCT: DigitalSpot 7100 DT		
TITLE: Covers - assembled		
DOCUMENT: 99013762		
VERSION: 1	DATE: 31.01.2014	SHEET: 01 OF 27



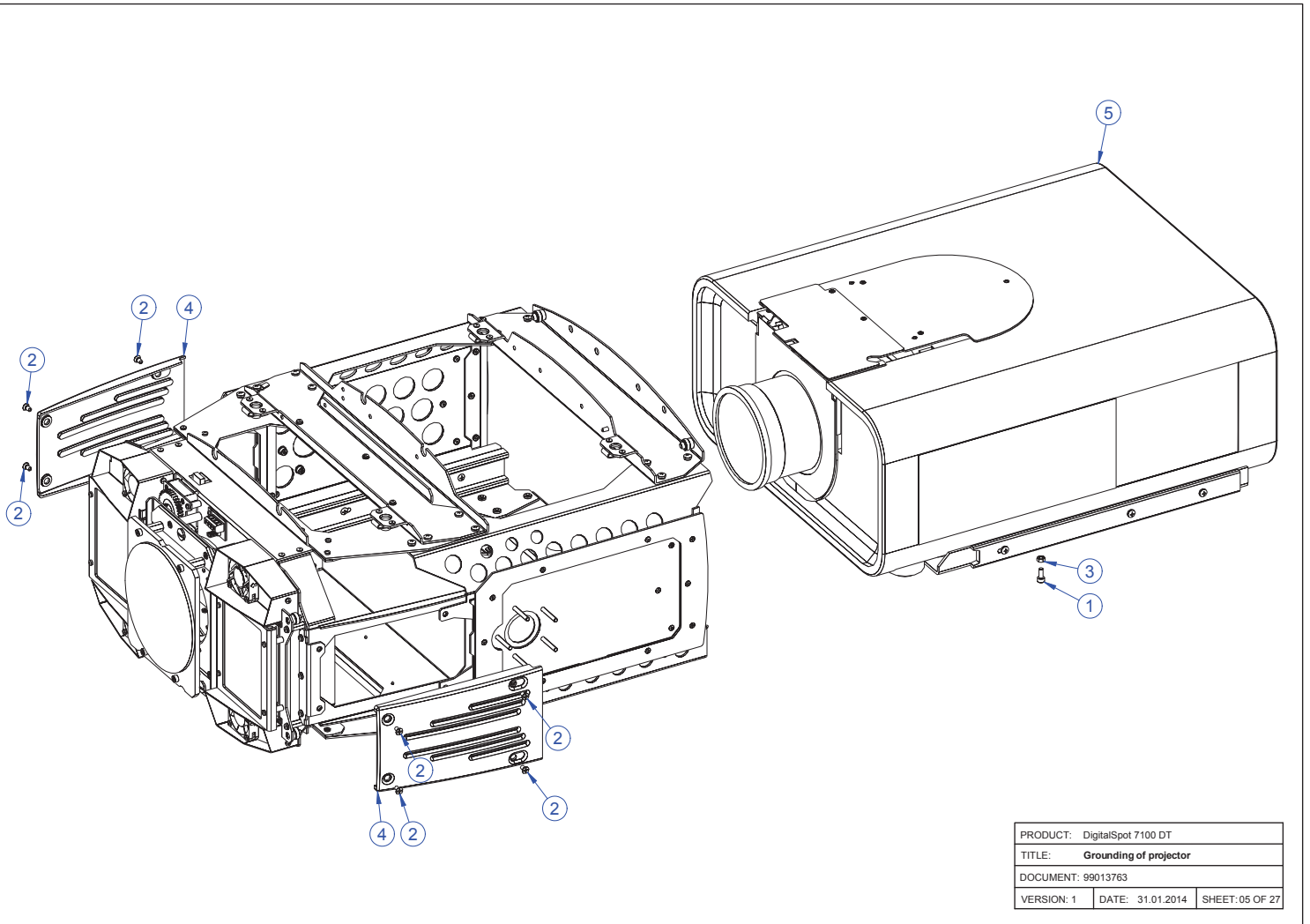
PRODUCT: DigitalSpot 7100 DT		
TITLE: Covers of head		
DOCUMENT: 99013763		
VERSION: 1	DATE: 31.01.2014	SHEET: 02 OF 27



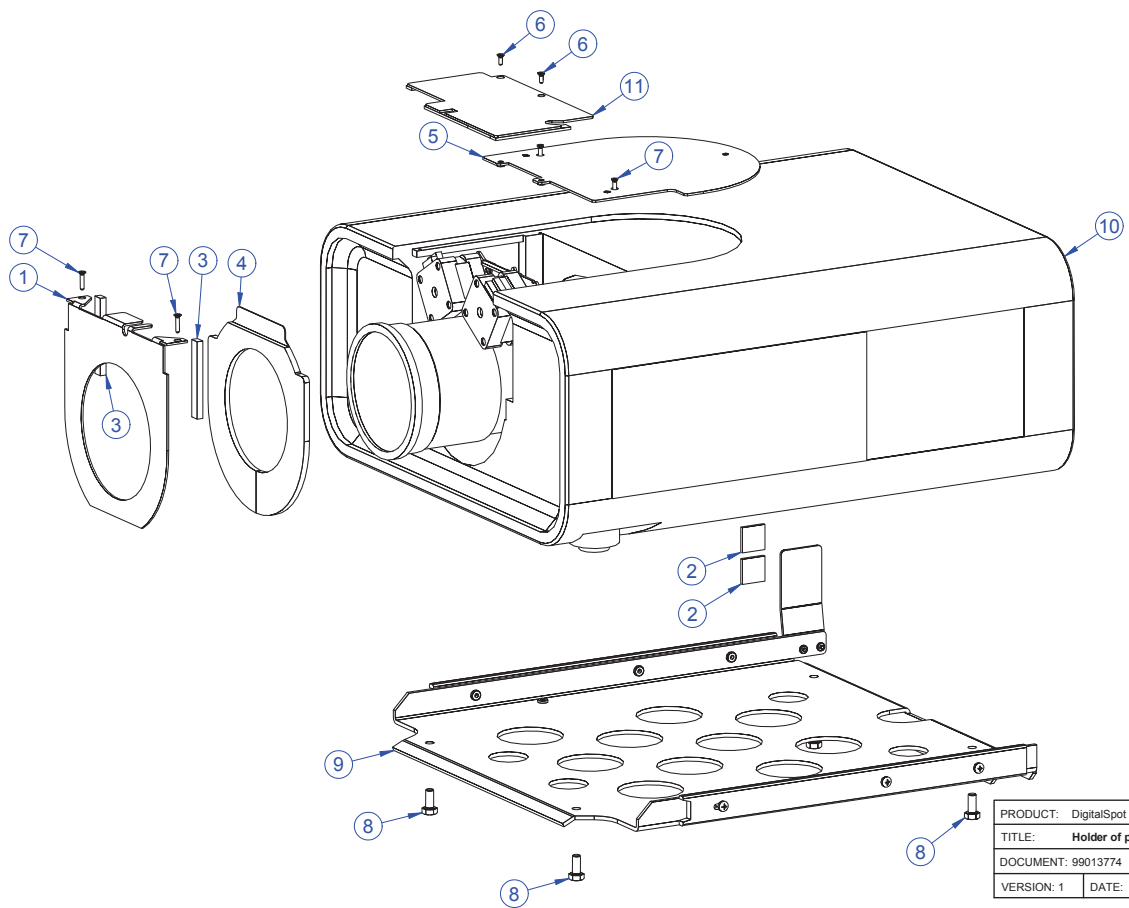
PRODUCT: DigitalSpot 7100 DT		
TITLE: Covers of base		
DOCUMENT: 99013764		
VERSION: 1	DATE: 31.01.2014	SHEET: 03 OF 27



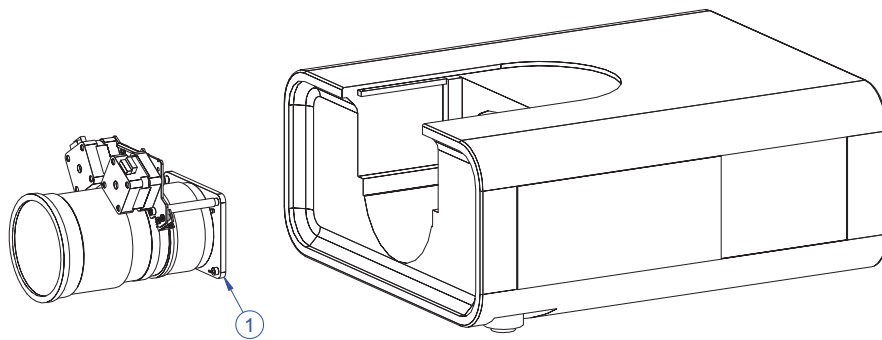
PRODUCT: DigitalSpot 7100 DT		
TITLE: Head		
DOCUMENT: 99013764		
VERSION: 1	DATE: 31.01.2014	SHEET: 04 OF 27



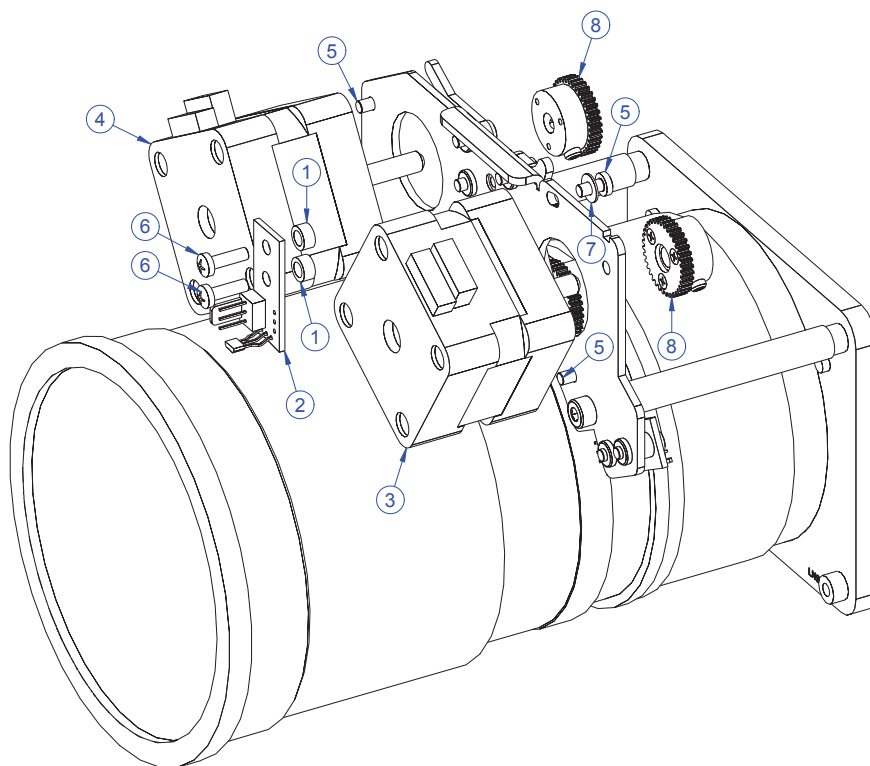
PRODUCT: DigitalSpot 7100 DT		
TITLE: Grounding of projector		
DOCUMENT: 99013763		
VERSION: 1	DATE: 31.01.2014	SHEET: 05 OF 27



PRODUCT: DigitalSpot 7100 DT		
TITLE: Holder of projector		
DOCUMENT: 99013774		
VERSION: 1	DATE: 31.01.2014	SHEET: 06 OF 27

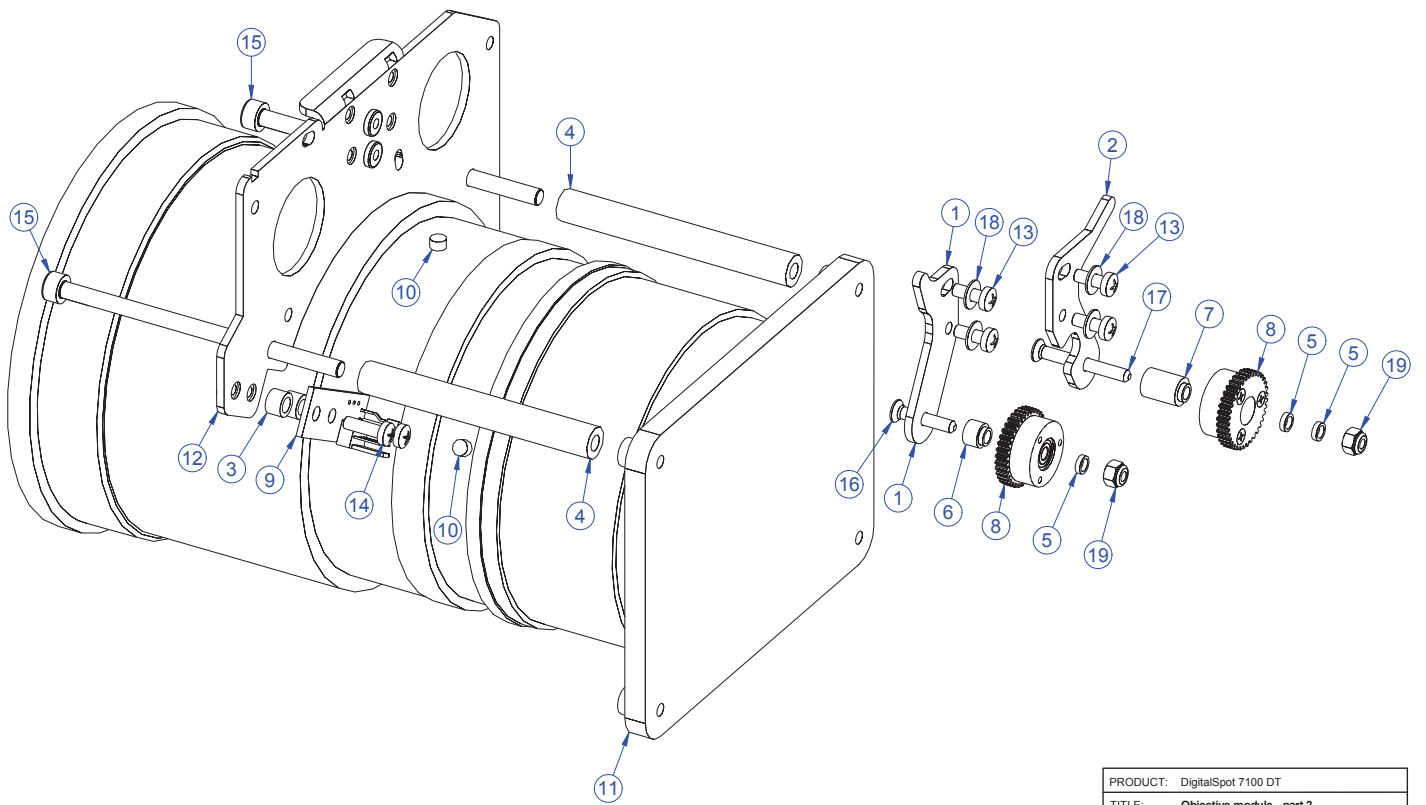


PRODUCT: DigitalSpot 7100 DT		
TITLE: Projector Christie with objective		
DOCUMENT: 99013774		
VERSION: 1	DATE: 31.01.2014	SHEET: 07 OF 27

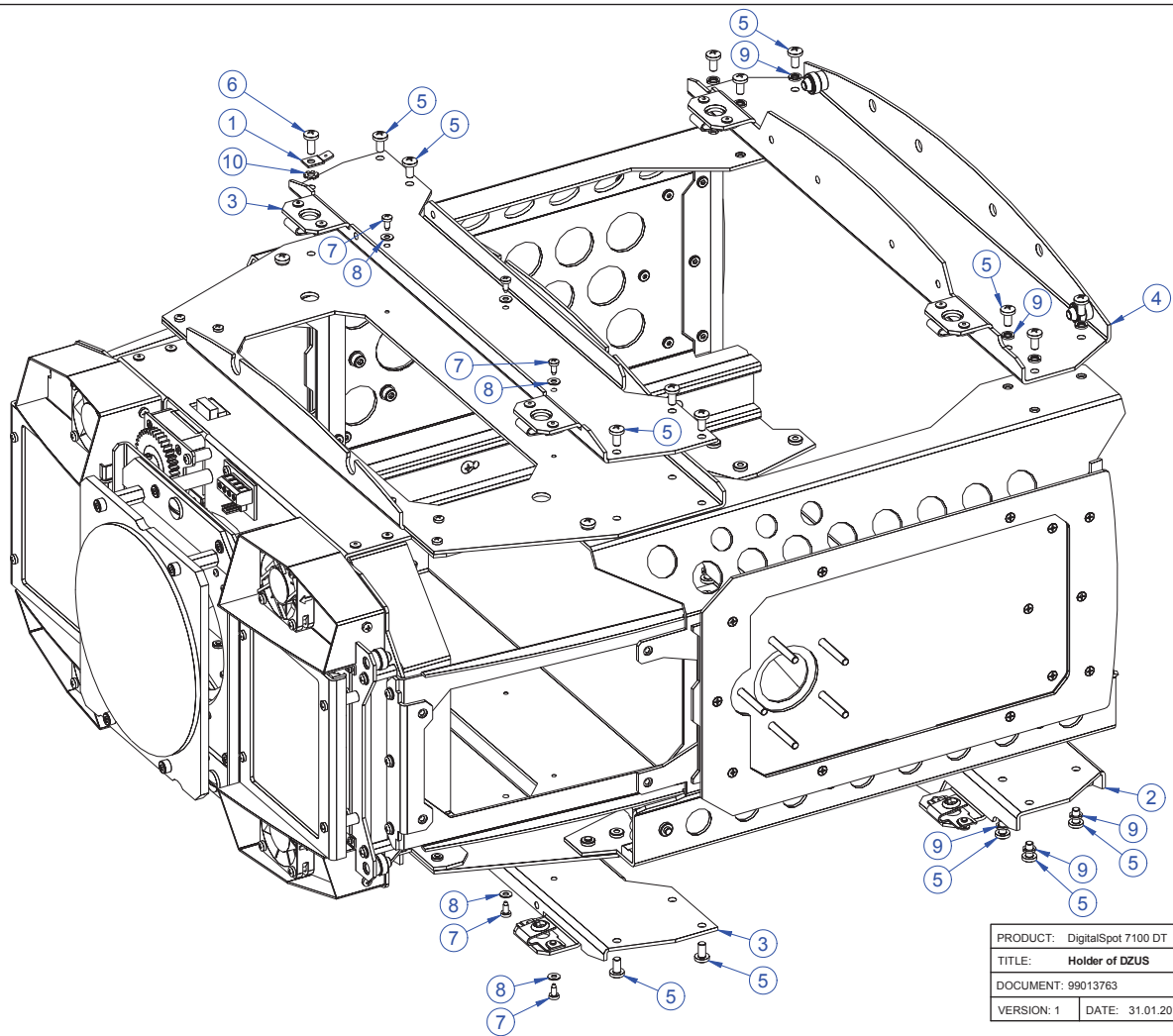


PRODUCT: DigitalSpot 7100 DT		
TITLE: Objective module - part 1		
DOCUMENT: 99013774		
VERSION: 1	DATE: 31.01.2014	SHEET: 08 OF 27

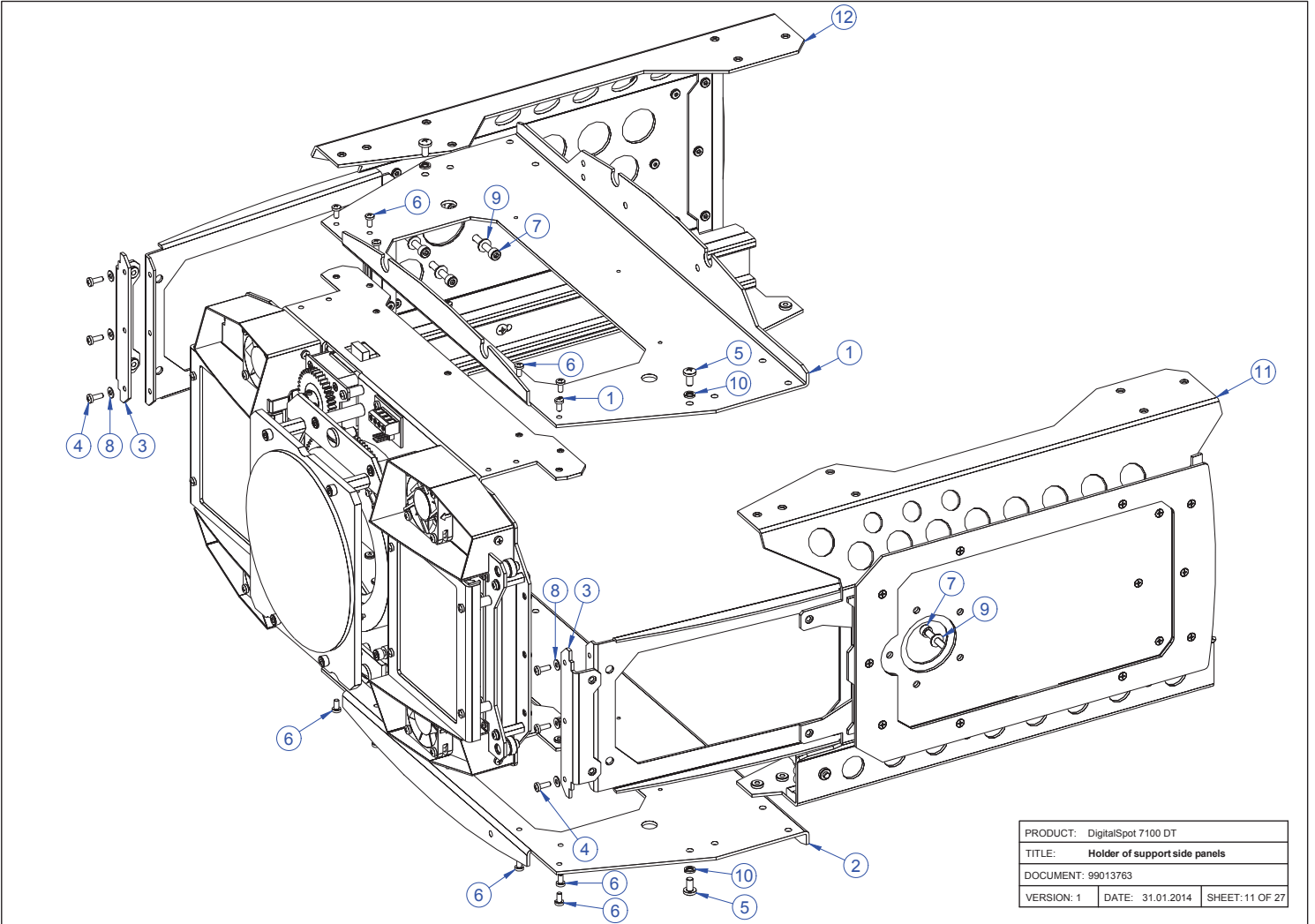




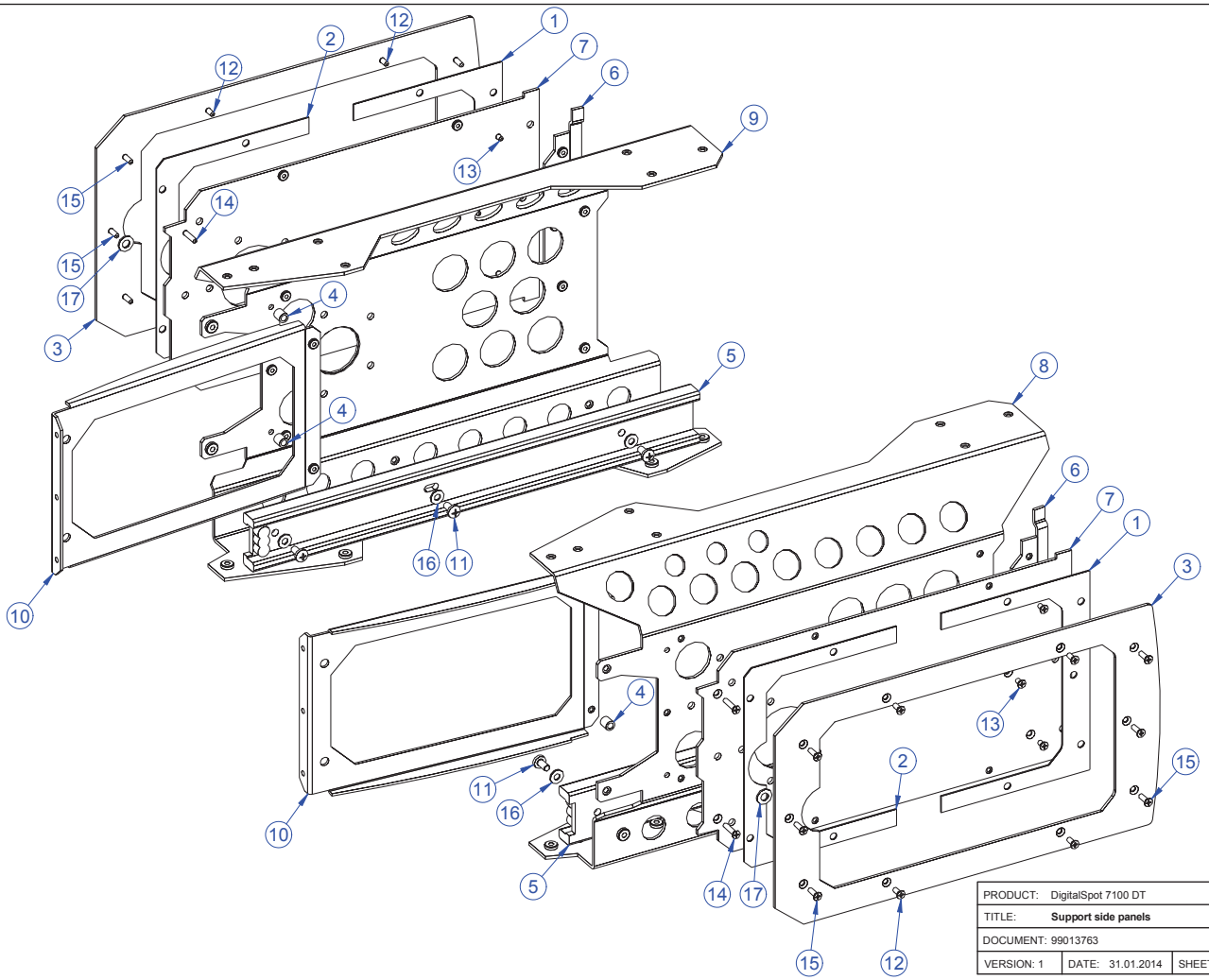
PRODUCT: DigitalSpot 7100 DT		
TITLE: Objective module - part 2		
DOCUMENT: 99013774		
VERSION: 1	DATE: 31.01.2014	SHEET: 09 OF 27



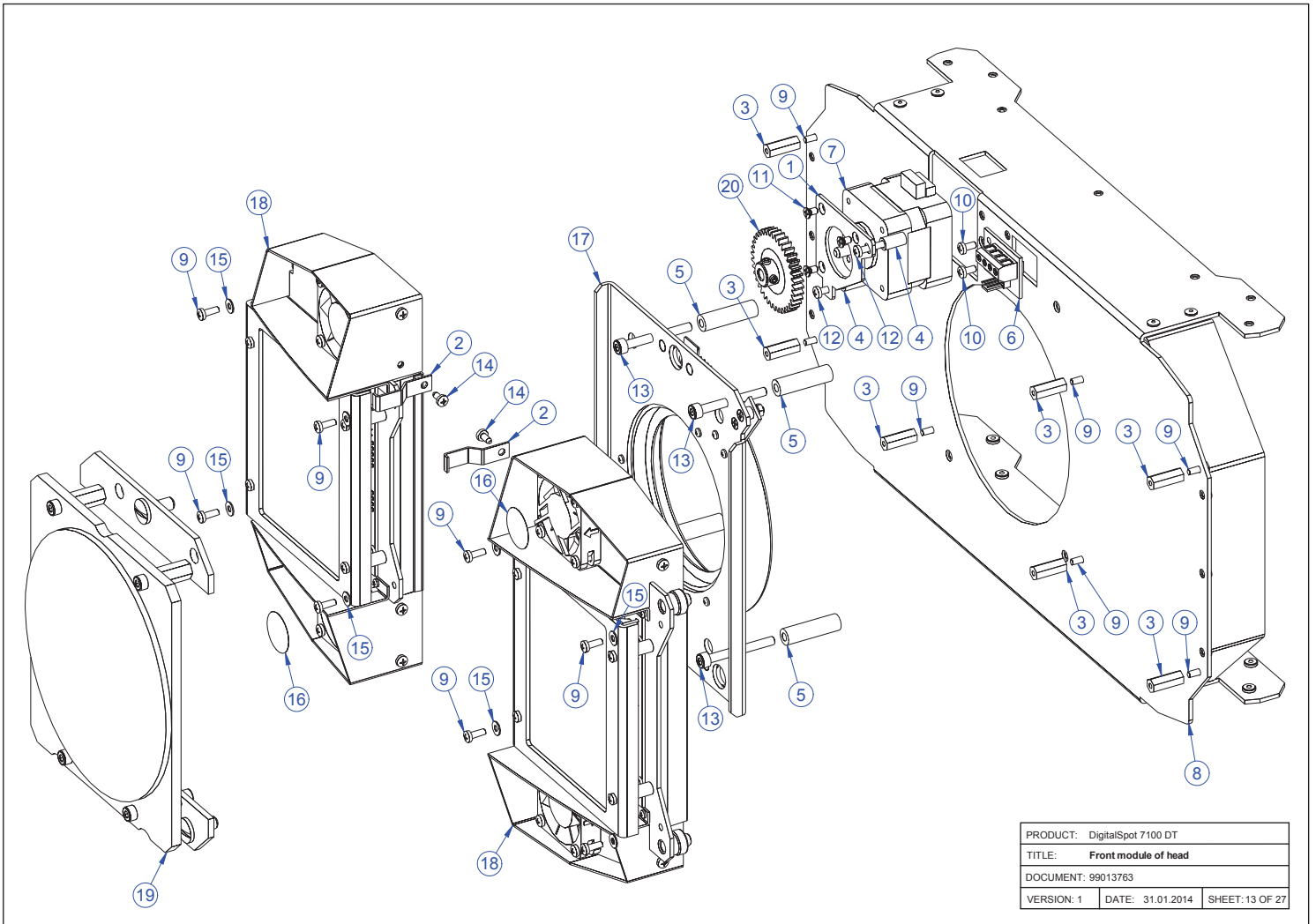
PRODUCT: DigitalSpot 7100 DT		
TITLE: Holder of DZUS		
DOCUMENT: 99013763		
VERSION: 1	DATE: 31.01.2014	SHEET: 10 OF 27



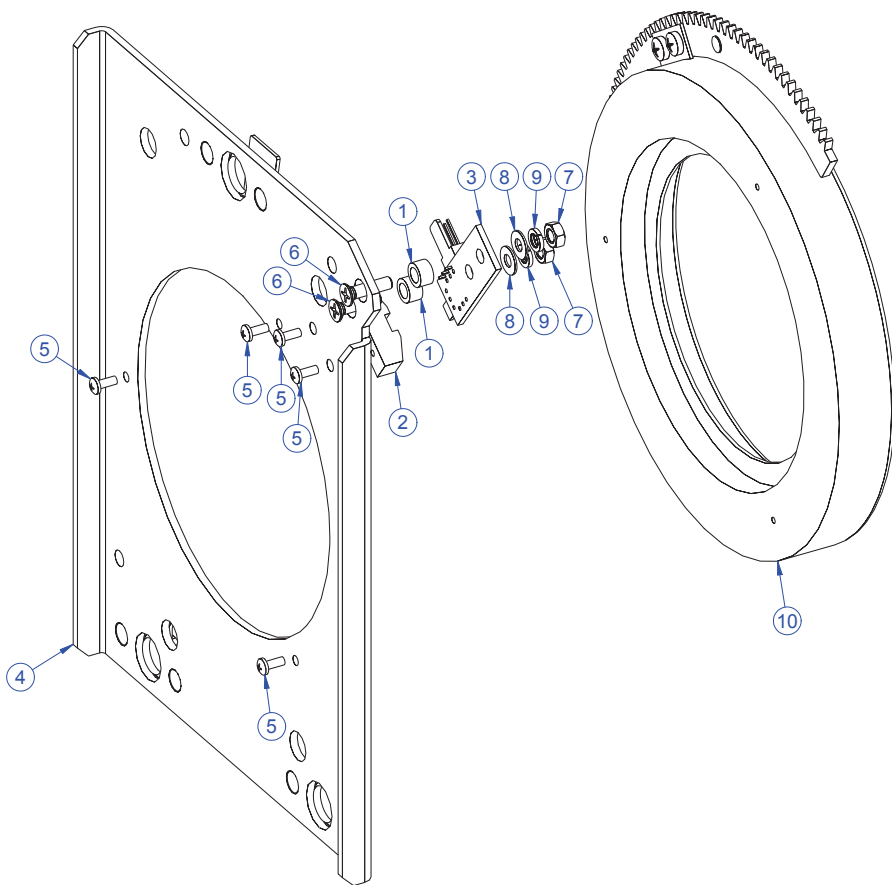
PRODUCT: DigitalSpot 7100 DT		
TITLE: Holder of support side panels		
DOCUMENT: 99013763		
VERSION: 1	DATE: 31.01.2014	SHEET: 11 OF 27



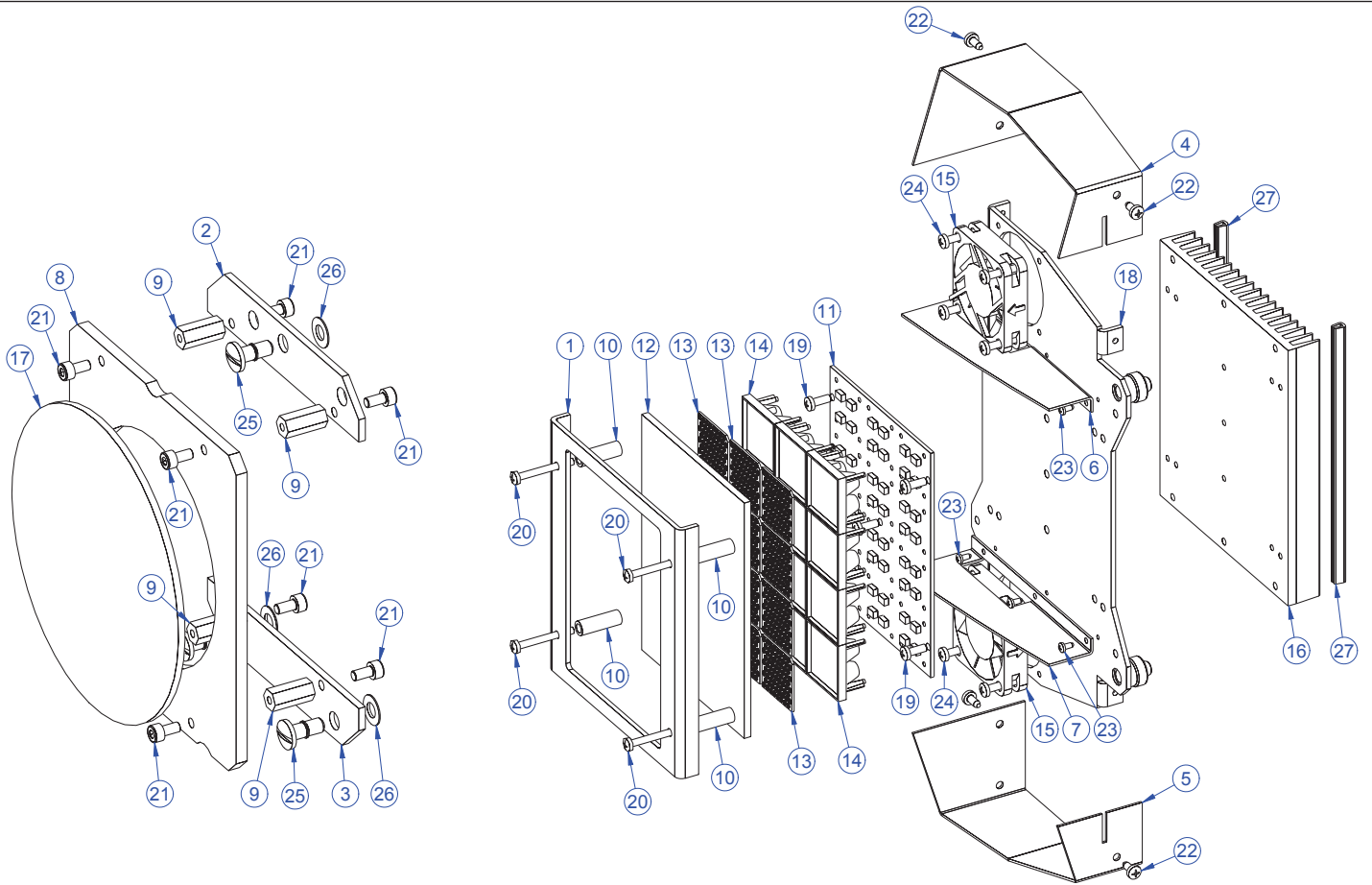
PRODUCT: DigitalSpot 7100 DT		
TITLE: Support side panels		
DOCUMENT: 99013763		
VERSION: 1	DATE: 31.01.2014	SHEET: 12 OF 27



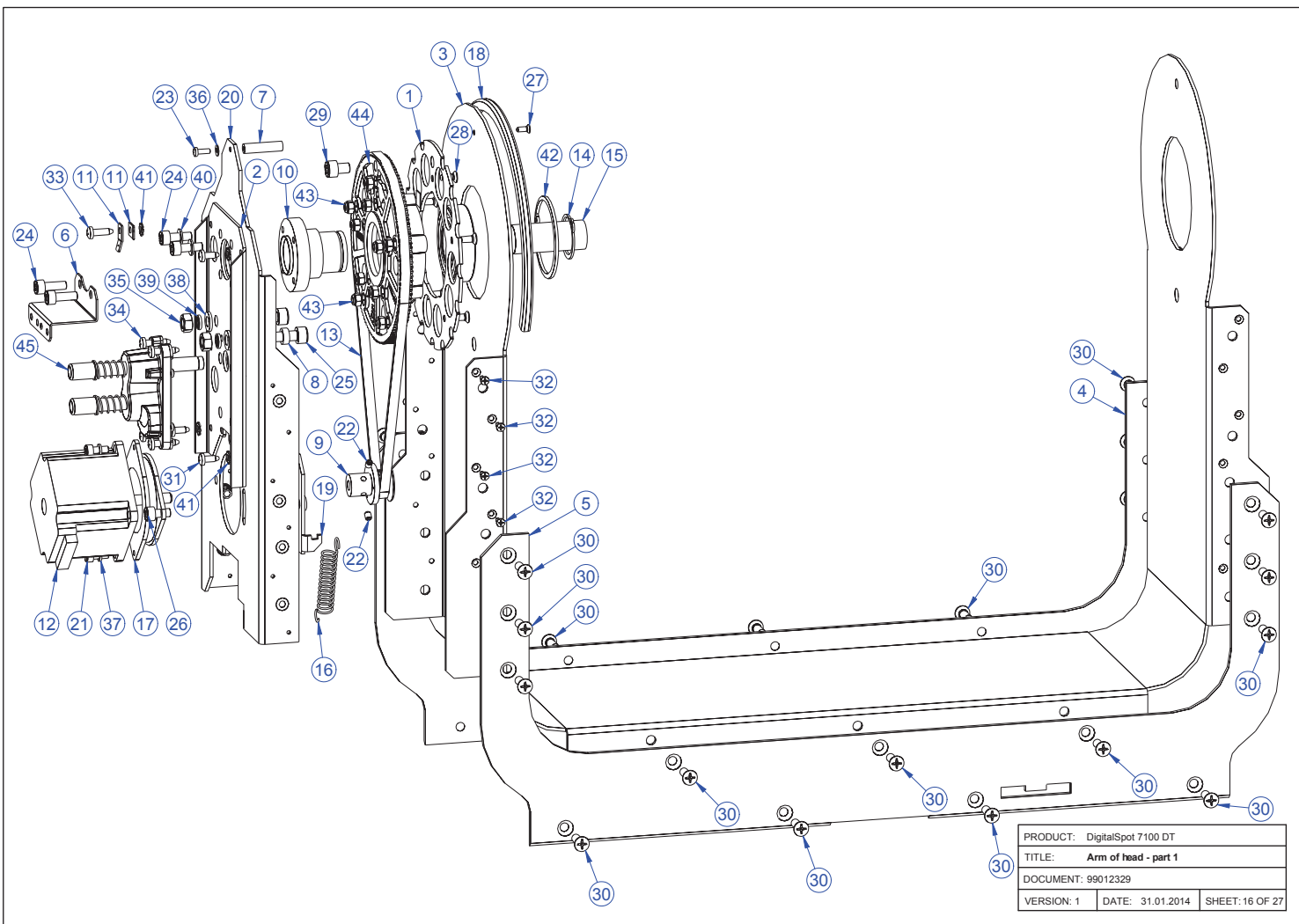
PRODUCT: DigitalSpot 7100 DT		
TITLE: Front module of head		
DOCUMENT: 99013763		
VERSION: 1	DATE: 31.01.2014	SHEET: 13 OF 27



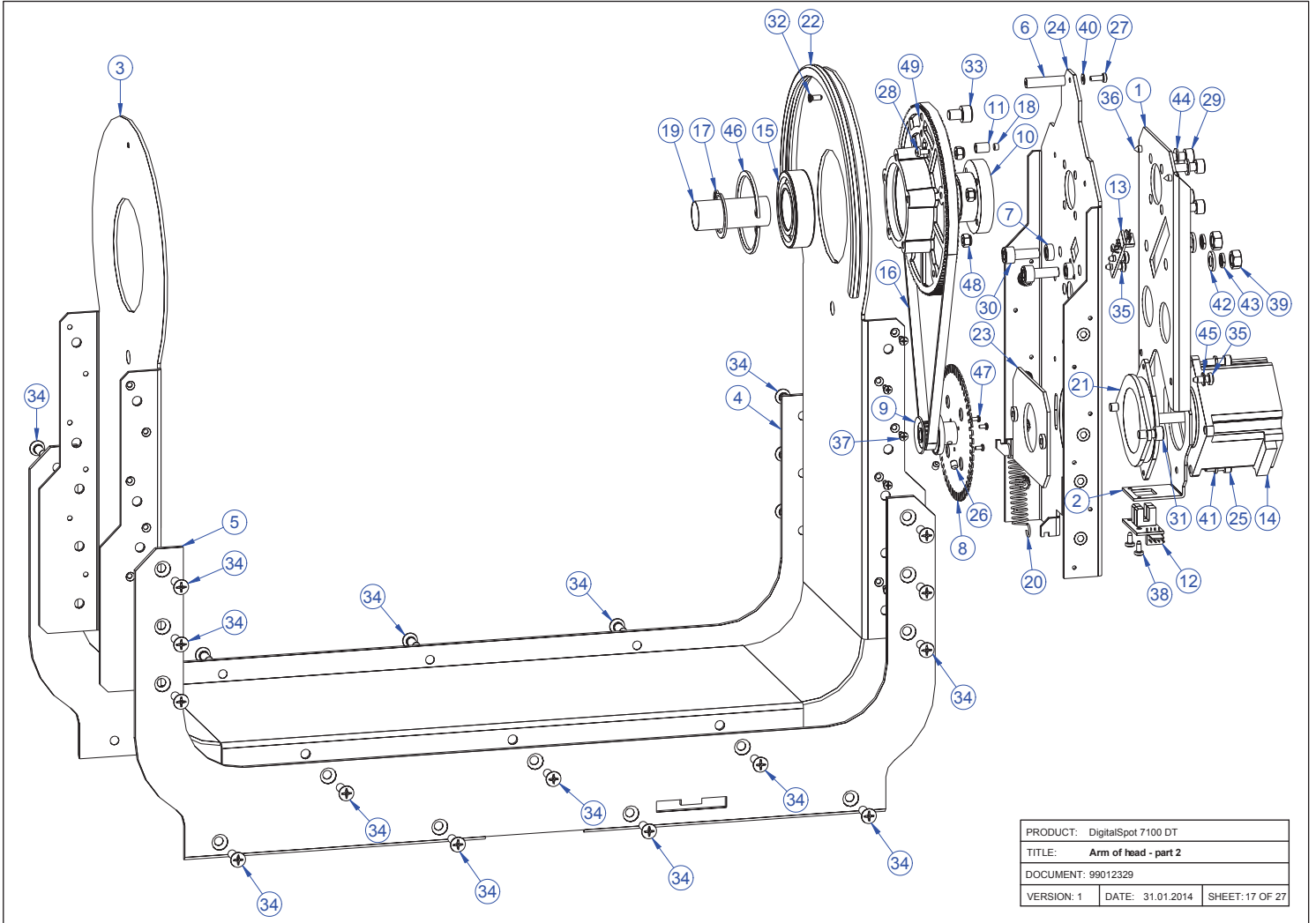
PRODUCT: DigitalSpot 7100 DT		
TITLE: <b>Module Iris</b>		
DOCUMENT: 99013772		
VERSION: 1	DATE: 31.01.2014	SHEET: 14 OF 27



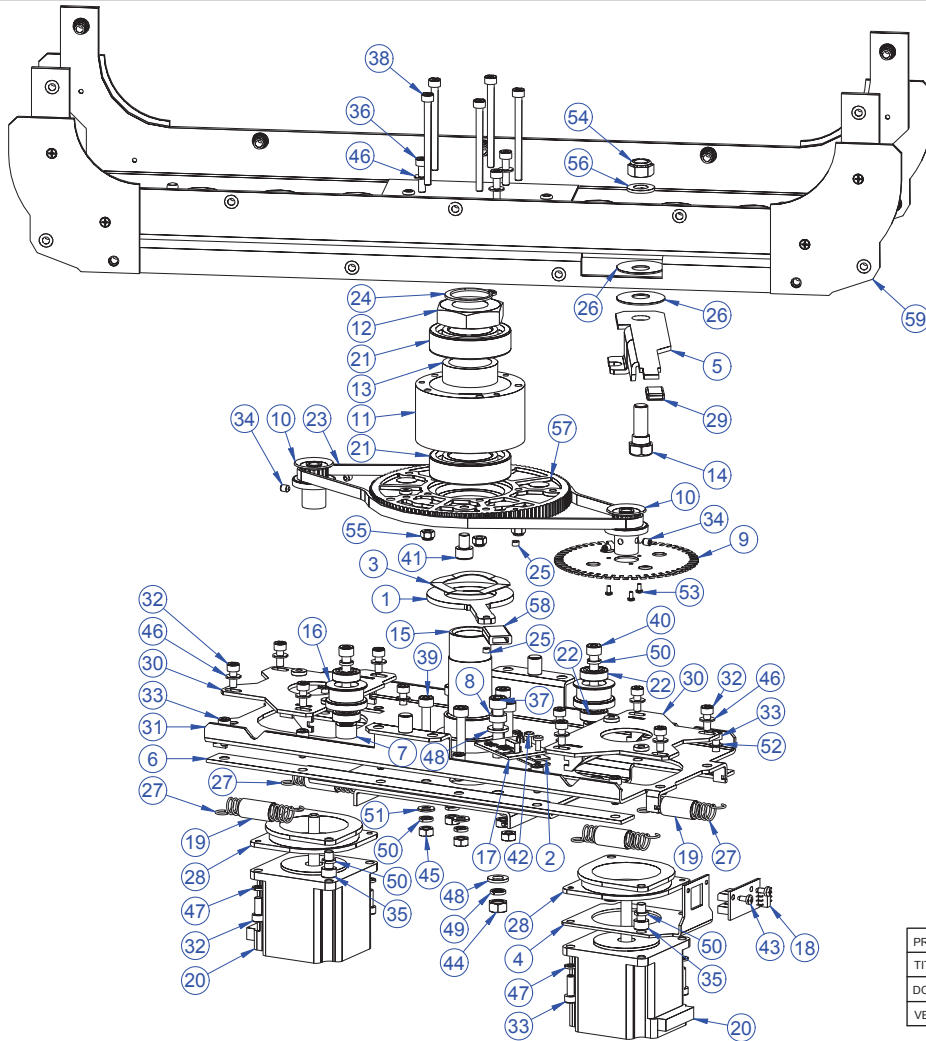
PRODUCT: DigitalSpot 7100 DT		
TITLE: <b>Module LED and module covering glass</b>		
DOCUMENT: 99013772		
VERSION: 1	DATE: 31.01.2014	SHEET: 15 OF 27



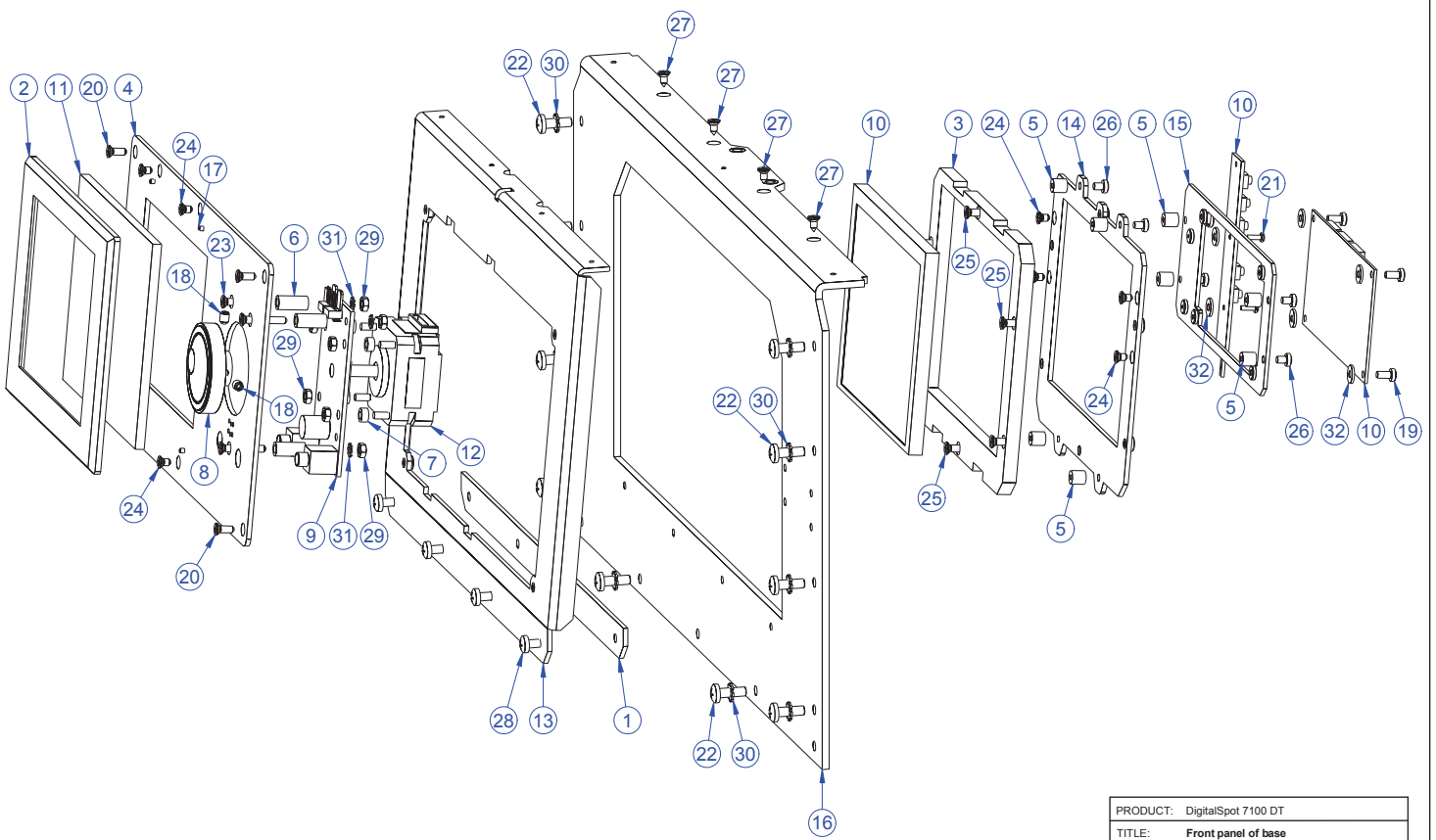




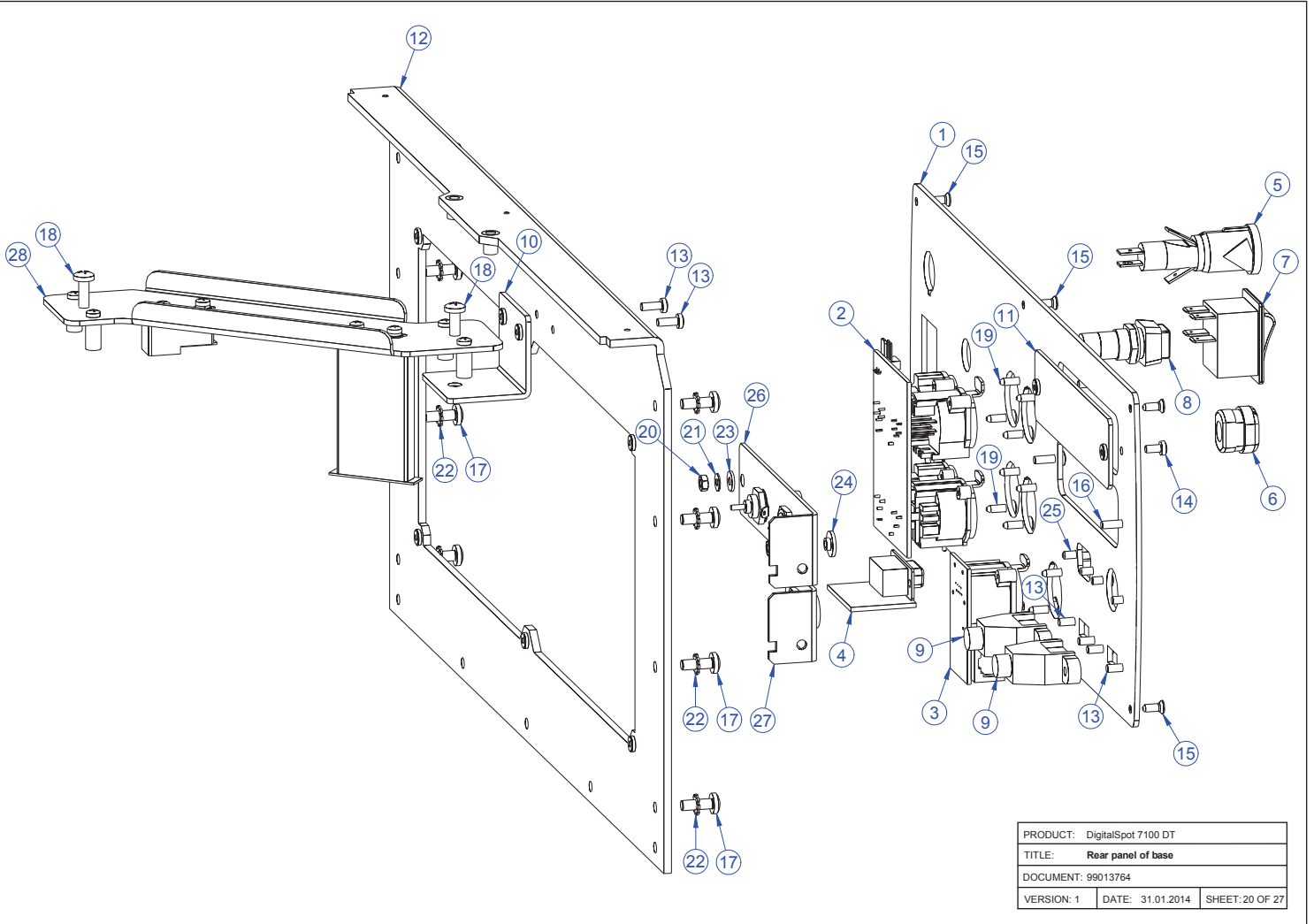
PRODUCT: DigitalSpot 7100 DT		
TITLE: Arm of head - part 2		
DOCUMENT: 99012329		
VERSION: 1	DATE: 31.01.2014	SHEET: 17 OF 27



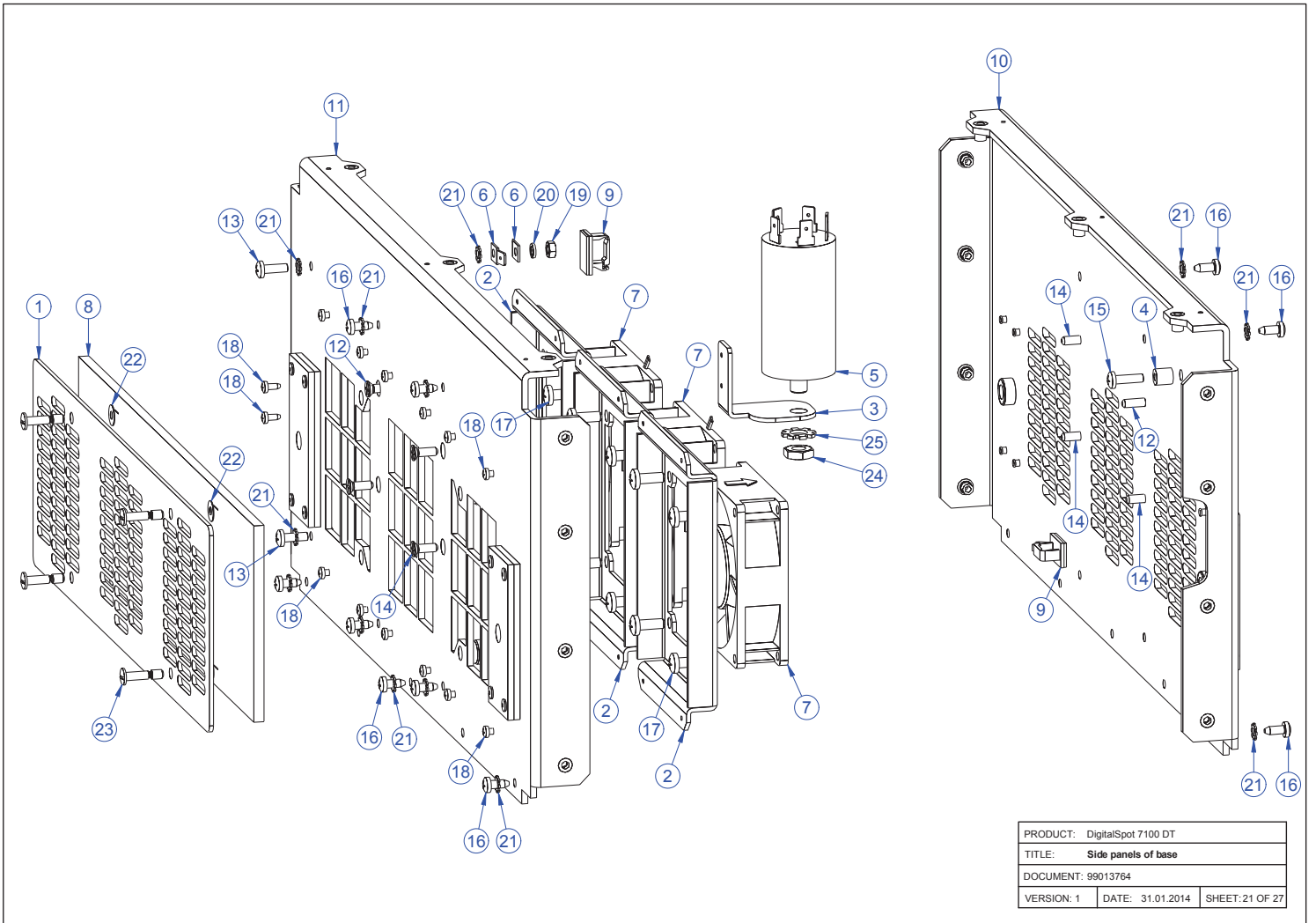
PRODUCT: DigitalSpot 7100 DT		
TITLE: Axe "X"		
DOCUMENT: 99012316		
VERSION: 1	DATE: 31.01.2014	SHEET: 18 OF 27



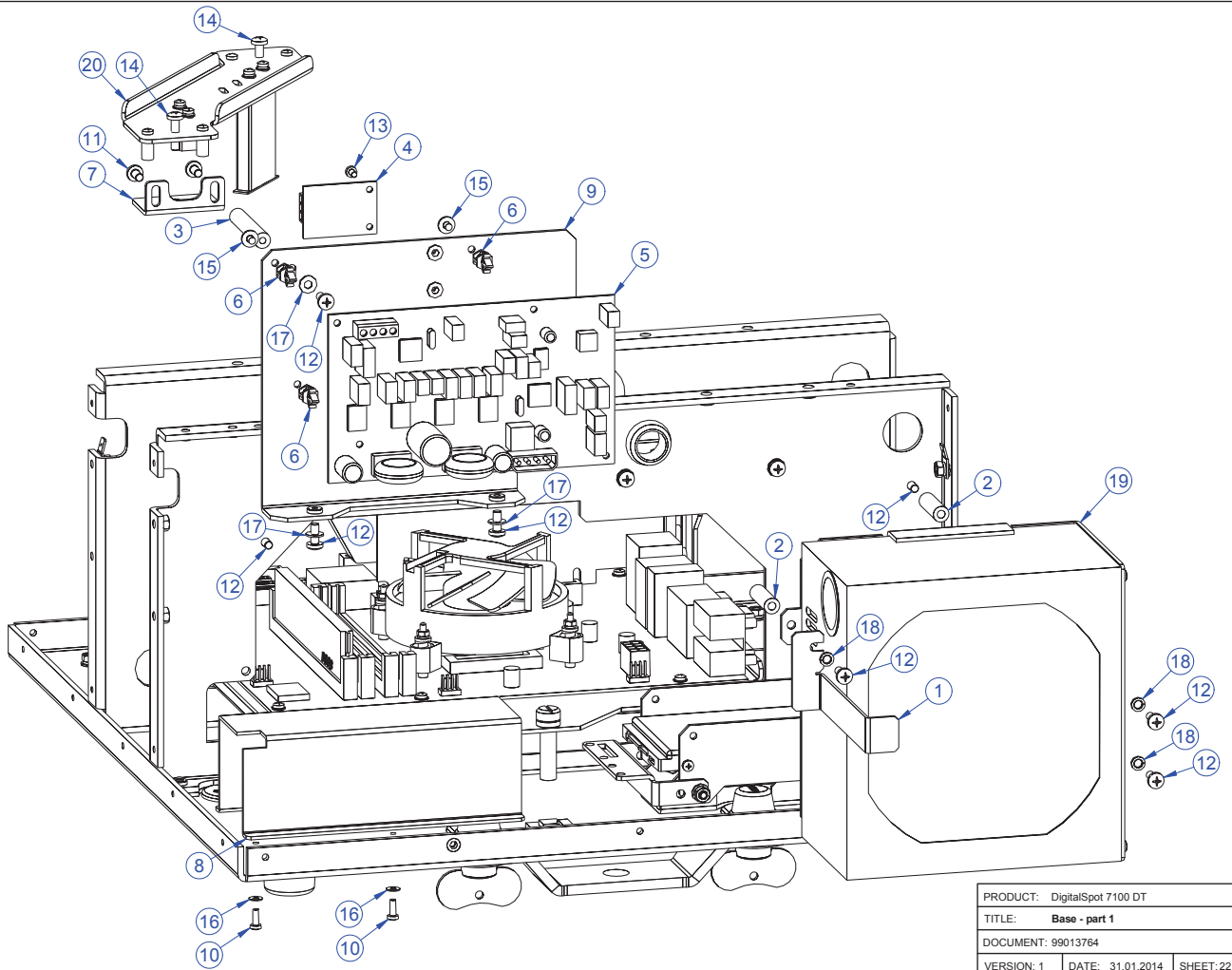
PRODUCT: DigitalSpot 7100 DT		
TITLE: Front panel of base		
DOCUMENT: 99013764		
VERSION: 1	DATE: 31.01.2014	SHEET: 19 OF 27



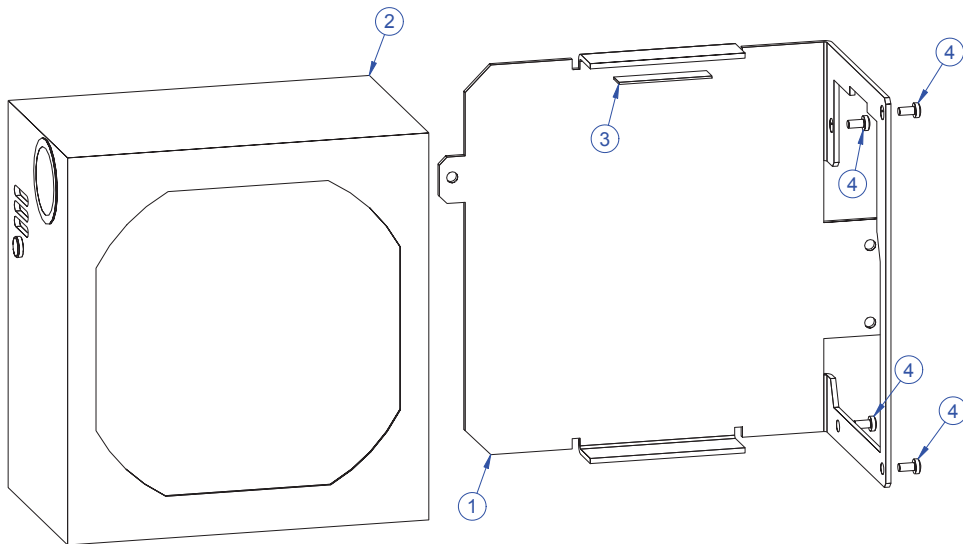
PRODUCT: DigitalSpot 7100 DT		
TITLE: Rear panel of base		
DOCUMENT: 99013764		
VERSION: 1	DATE: 31.01.2014	SHEET: 20 OF 27



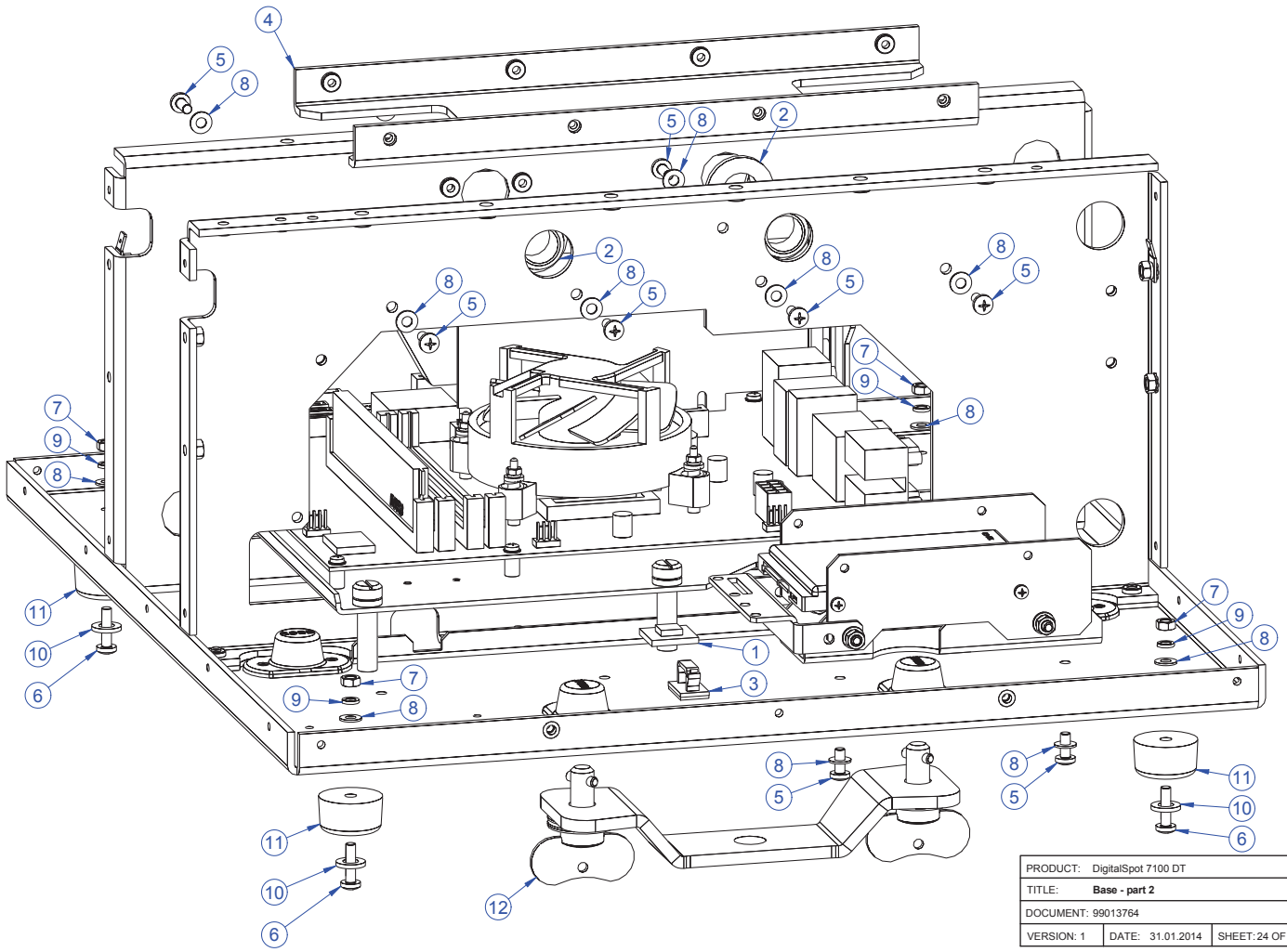
PRODUCT: DigitalSpot 7100 DT		
TITLE: Side panels of base		
DOCUMENT: 99013764		
VERSION: 1	DATE: 31.01.2014	SHEET: 21 OF 27



PRODUCT: DigitalSpot 7100 DT		
TITLE: Base - part 1		
DOCUMENT: 99013764		
VERSION: 1	DATE: 31.01.2014	SHEET: 22 OF 27

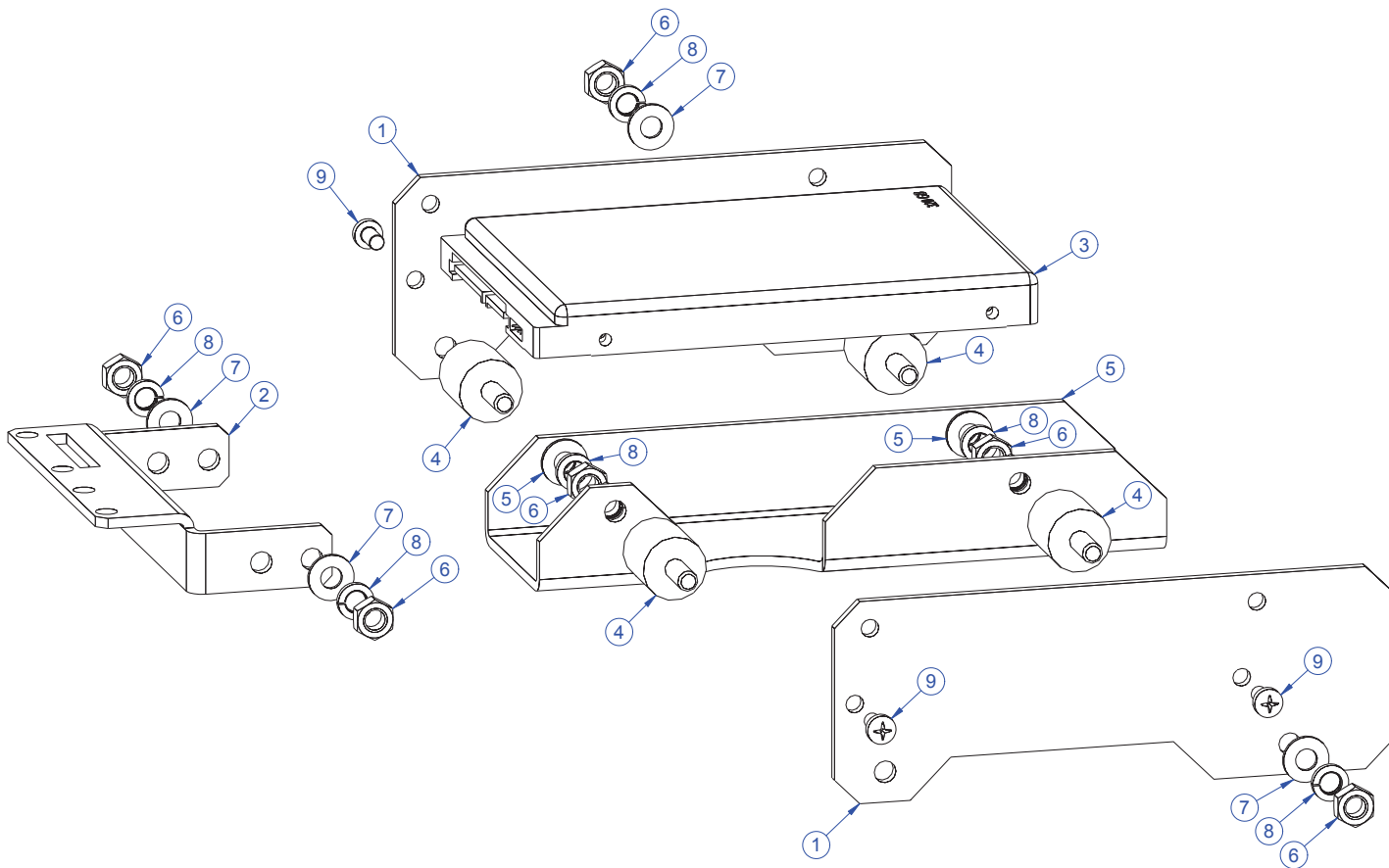


PRODUCT: DigitalSpot 7100 DT		
TITLE: Power supply Forbn 650W with holder		
DOCUMENT: 99013764		
VERSION: 1	DATE: 31.01.2014	SHEET: 23 OF 27

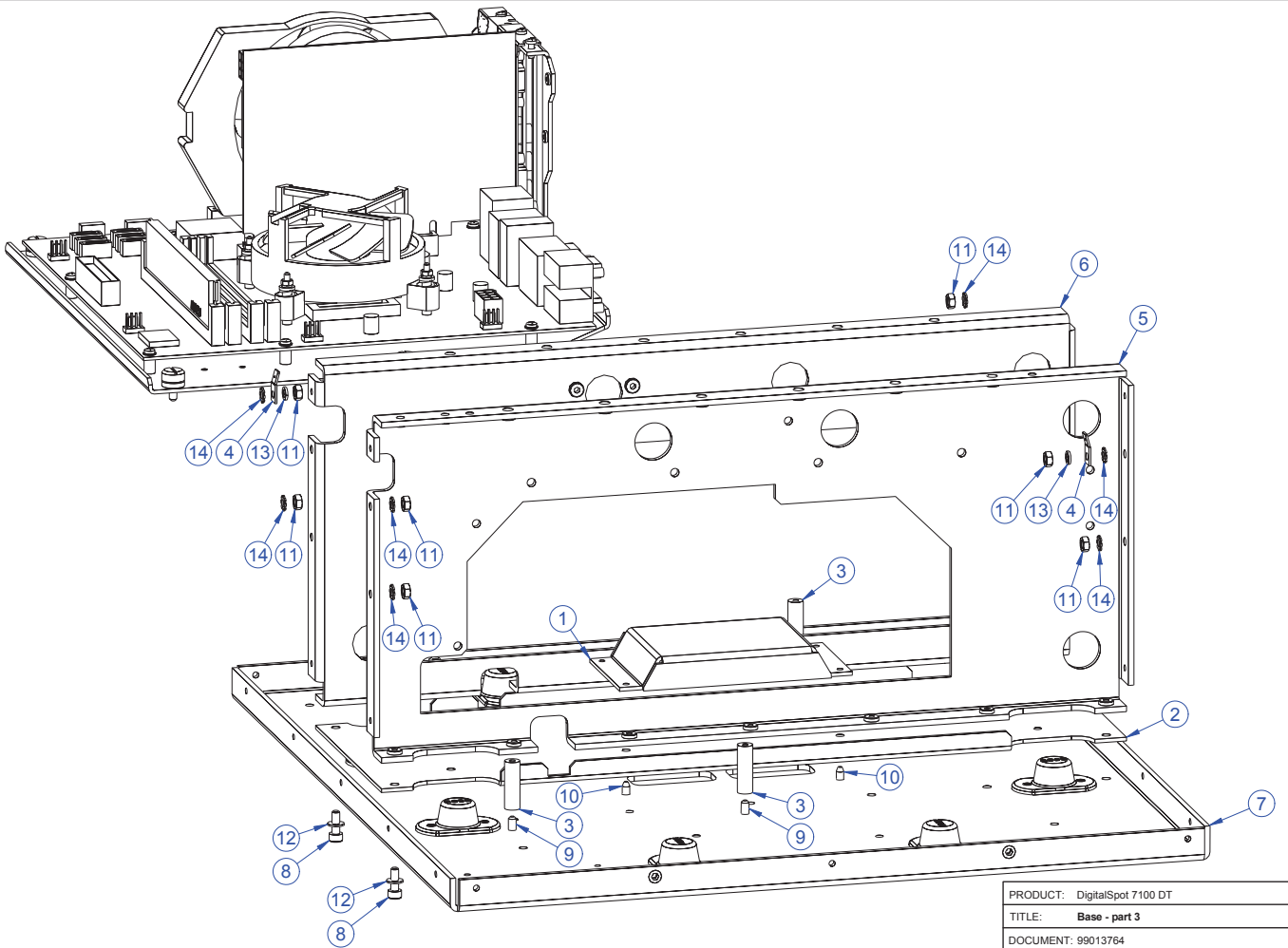


PRODUCT: DigitalSpot 7100 DT		
TITLE: Base - part 2		
DOCUMENT: 99013764		
VERSION: 1	DATE: 31.01.2014	SHEET: 24 OF 27

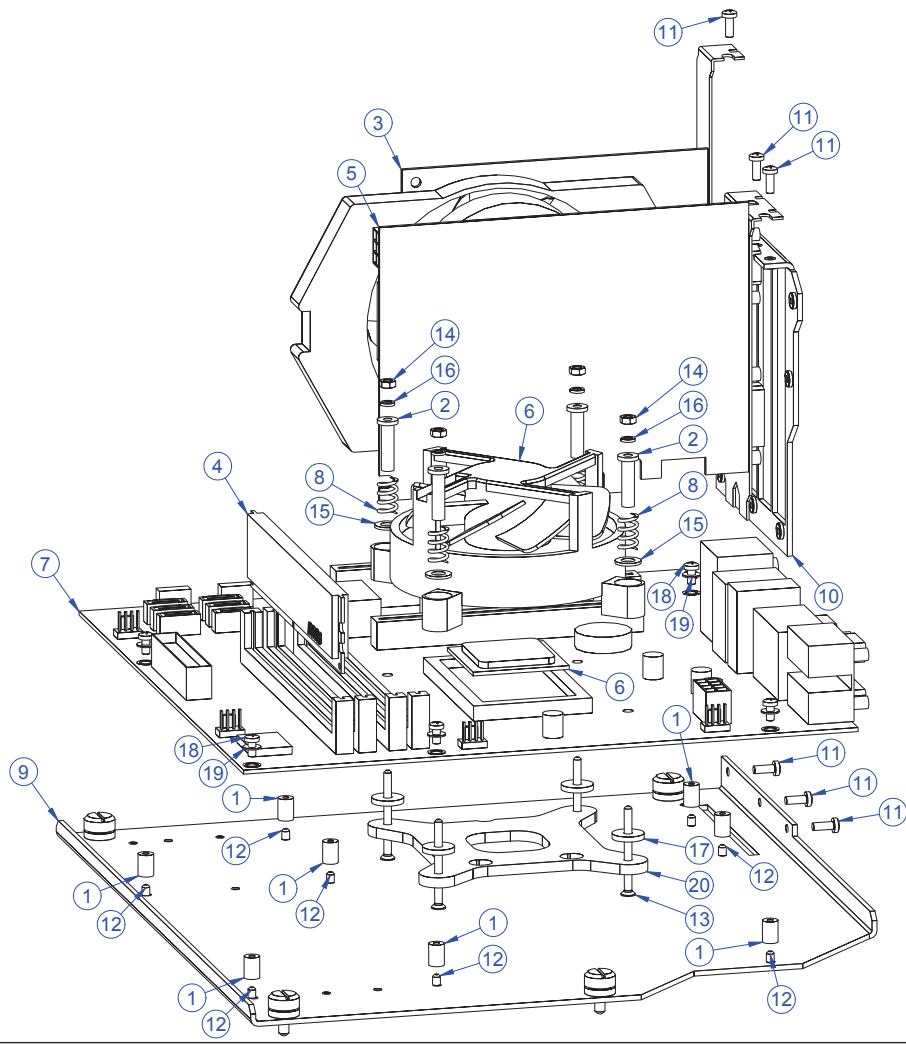




PRODUCT: DigitalSpot 7100 DT		
TITLE: Grounding of hard drive		
DOCUMENT: 99013764		
VERSION: 1	DATE: 31.01.2014	SHEET: 25 OF 27



PRODUCT: DigitalSpot 7100 DT		
TITLE: Base - part 3		
DOCUMENT: 99013764		
VERSION: 1	DATE: 31.01.2014	SHEET: 26 OF 27



PRODUCT: DigitalSpot 7100 DT		
TITLE: Motherboard module		
DOCUMENT: 99013764		
VERSION: 1	DATE: 31.01.2014	SHEET: 27 OF 27